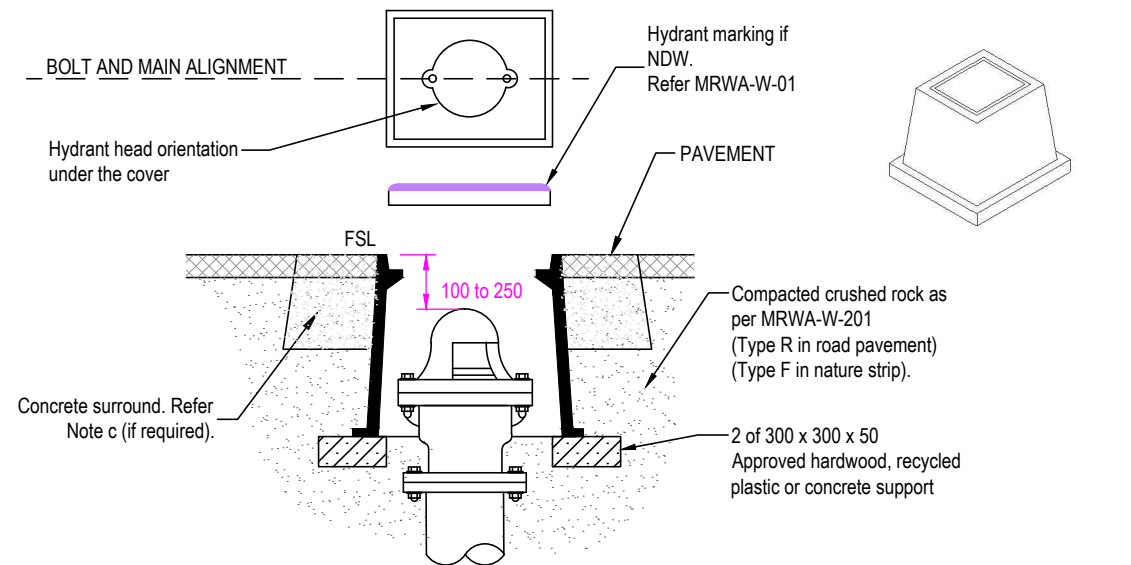


**FIGURE 303-A: NON TRAFFICABLE NON-DRINKING WATER HYDRANT COVERS**  
ROUND (IF NDW) AND SQUARE (IF DW)



**FIGURE 303-B: TRAFFICABLE AREA HYDRANT COVERS**

**GENERAL NOTES:**

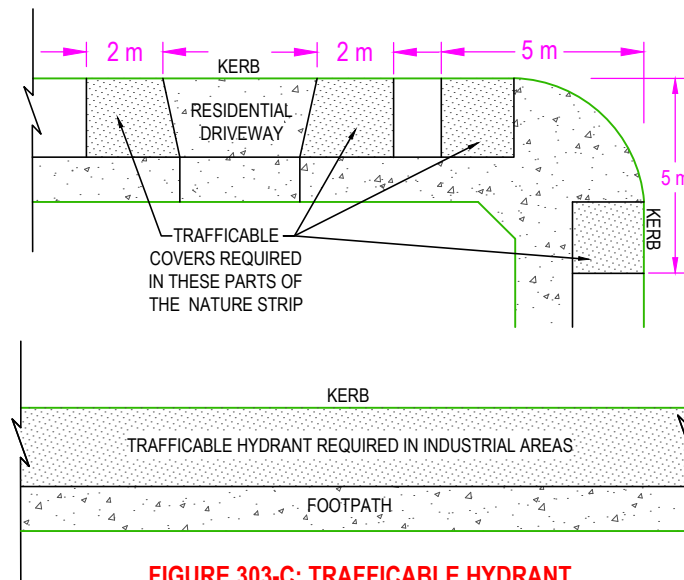
- Provide a level compacted crushed rock foundation for all covers, surrounds and shrouds (as shown) to the embedment material. Crushed rock to be in accordance with the trafficable section of MRWA-W-201.
- A gap is required between the cover and shroud. The shroud shall be cut at 90 degrees. The shroud shall not contact the cover & be kept > 20 mm clear.
- Install cover, surround, spindle sleeve, shroud and shroud support so that no loading is transmitted to the valve or pipe.
- For non-drinking water hydrants & washouts, the words / letters: "Non-Drinking Water" or "NDW" or "RW" shall be cast / stamped/ embossed or engraved into the cover or lid.
- For drinking water hydrants & washouts, the words / letters: "Water" or "W" or "Drinking Water" shall be cast / stamped/ embossed or engraved into the cover or lid.
- For hydrant marking arrangements refer to MRWA-W-300 & 301.
- Refer to water agency products catalogue for authorized materials.

**NOTES on Hydrants in Road Pavement:**

- Hinge covers to close in the direction of the adjacent road lane traffic.
- In trafficable areas a hardwood, recycled plastic or concrete bearer is required to support the surface fitting.
- No surround is required for trafficable hydrant covers.

**NOTES on Hydrants in Nature Strips & Open Reserves:**

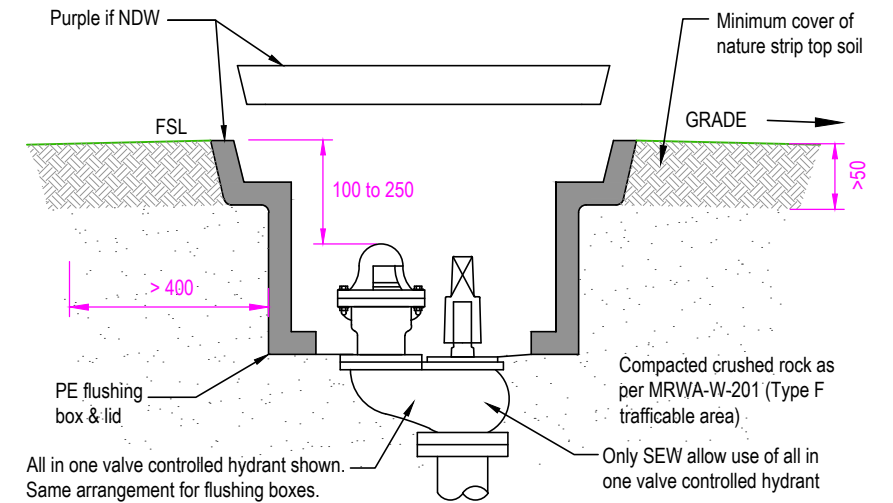
- Where the main is aligned close to the kerb such that non trafficable covers (which are larger) would clash with the kerb, trafficable covers shall be used (which are substantially smaller).
- Non trafficable covers shall not be cut down in size.
- Trafficable covers with concrete surrounds shall be used in nature strips where vehicles are likely to regularly mount the kerb (Ref Figure 303-C). This includes:
  - All hydrants in industrial areas,
  - All hydrants within 5m of any road intersections,
  - All hydrants within 2m of residential driveways.
- Elevate cover up to 75 above finished surface level and grade soil away to prevent water entry.



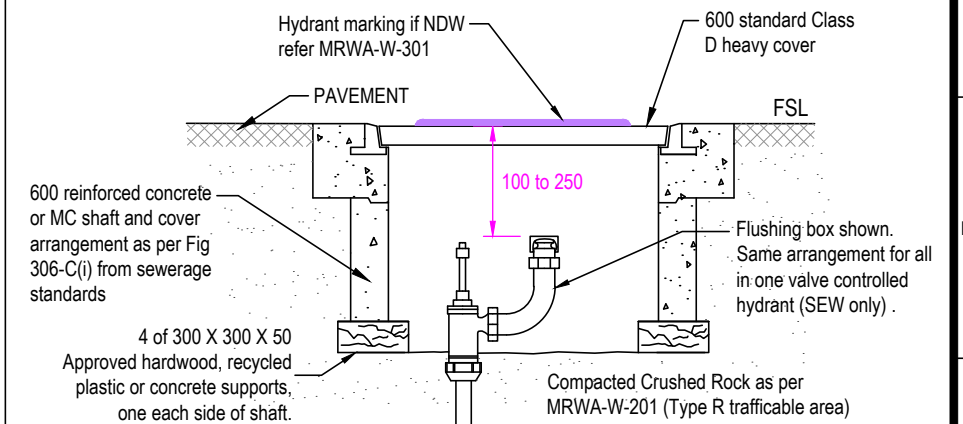
**FIGURE 303-C: TRAFFICABLE HYDRANT COVERS IN NON TRAFFICABLE AREAS**

**All in One Hydrant Controlled Valve & Flushing Box Fittings:**

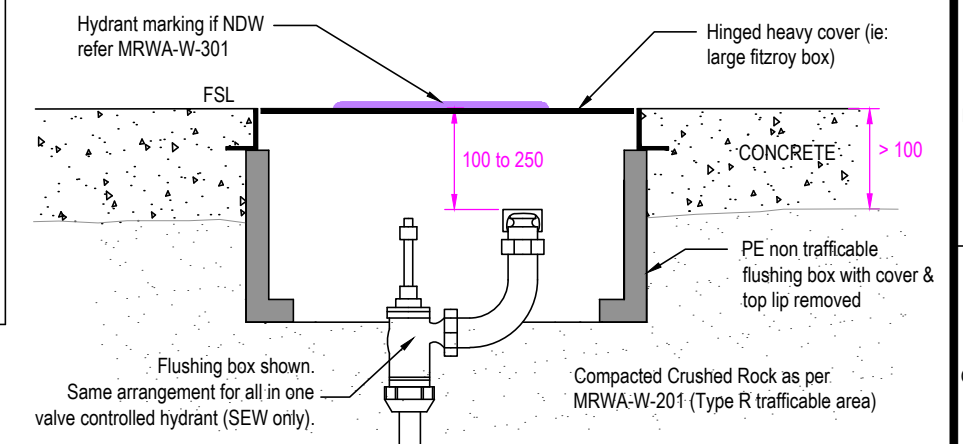
- Covers and frames for all in one valve controlled hydrants, washouts and below ground domestic meters can be constructed in this way.
- Cover must be appropriately labeled as "hydrant" or "washout" / "flushing box" or "meter".
- Only SEW allow the use of all in one valve controlled hydrants.



**FIGURE 303-D: NON TRAFFICABLE COVERS FOR ALL IN ONE VALVE CONTROLLED HYDRANTS OR FLUSHING BOXES**



**FIGURE 303-E: TRAFFICABLE COVER FOR ROADS FOR ALL IN ONE VALVE CONTROLLED HYDRANTS OR FLUSHING BOXES**



**FIGURE 303-F: DRIVEWAY, PARKING BAY & FOOTPATH COVERS FOR ALL IN ONE VALVE CONTROLLED HYDRANTS OR FLUSHING BOXES**

DESIGNED	R. JAGGER	DATE	04/04/2011
DRAWN	D. TOLENTINO	DATE	04/04/2011
CHECKED	NAME	DATE	APPROVED
<input checked="" type="checkbox"/> CWW	C. RIVETTE	04/04/12	<input checked="" type="checkbox"/> CWW R.CARRUTHERS
<input checked="" type="checkbox"/> SEWL	C.PAXMAN	04/04/12	<input checked="" type="checkbox"/> SEWL G.REYNOLDS
<input checked="" type="checkbox"/> YVW	K.DAWSON	04/04/12	<input checked="" type="checkbox"/> YVW A.COSHAM

MELBOURNE RETAIL WATER AGENCIES

MRWA WATER SUPPLY STANDARDS

HYDRANT & WASHOUT SURFACE ARRANGEMENTS

NOT TO SCALE

MRWA-W-303

ISSUED 2012 REVISION NO. 3