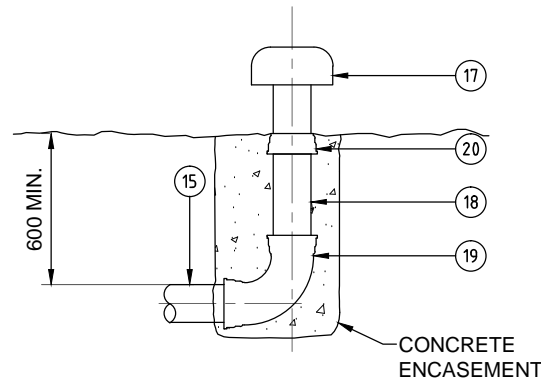


**TYPICAL AIR VALVE AND PIT DETAIL**  
NOT TO SCALE



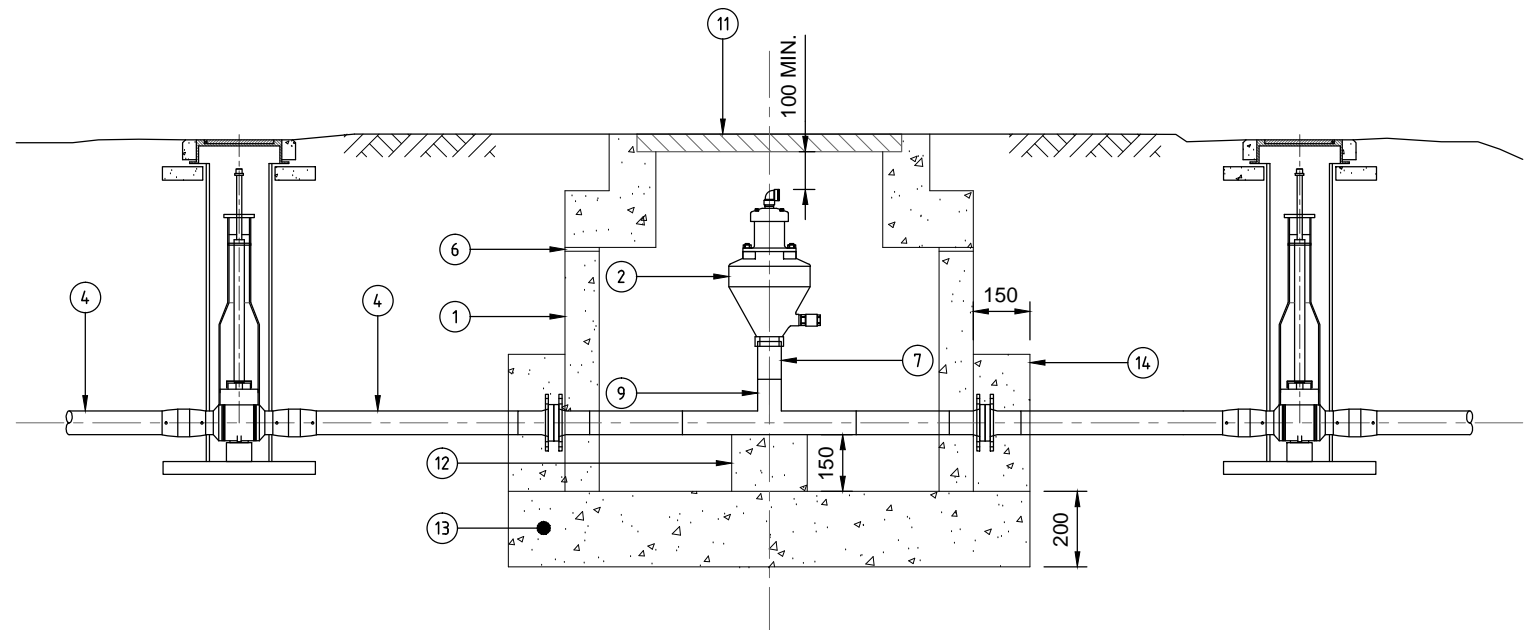
**GROUND LEVEL VENT DETAIL - TYPICAL**  
NOT TO SCALE

**NOTES:**

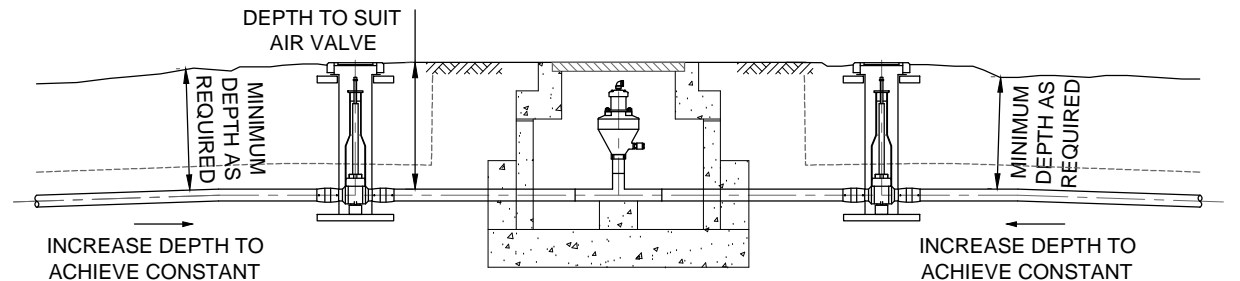
1. MINIMUM PRESSURE RATING FOR ALL PIPEWORK AND FITTINGS IS TO BE PN16.
2. ALL DI PIPEWORK AND FITTINGS SHALL BE EPOXY COATED OR APPROVED EQUIVALENT.
3. AIR VALVES ARE NOT TO BE LOCATED IN TRAFFICABLE AREAS.
4. ALL BACKING RINGS, NUTS, BOLTS AND WASHERS TO BE A MINIMUM GRADE 316 STAINLESS STEEL. COAT THE THREADED SECTIONS OF ALL STAINLESS STEEL BOLTS WITH AN ANTI-SEIZE LUBRICANT.
5. GASKET MATERIAL TO COMPLY WITH AS 4087 AND IN ACCORDANCE WITH WSA 109.
6. LOCATE GROUND VENT ADJACENT TO PROPERTY BOUNDARY.
7. PLACE SCREENING BUSHES AROUND GROUND VENT WHERE APPROPRIATE.
8. CONTRACTOR TO INSTALL EDUCT VENT IN ACCORDANCE WITH WSA DRAWING SEW-1408 (WHERE REQUIRED).
9. FUSION JOINTING OF PE FLANGE ADAPTER TO REDUCER SHALL BE MADE BY BUTT WELDING ONLY.
10. ALL CONCRETE TO BE WATER INDUSTRY APPROVED.
11. ALL INTERNAL SURFACES TO BE EPOXY COATED.
12. PROVIDE APPROVED LIFTING POINTS TO TOP OF SLAB IF PRECAST.

TYPICAL FITTING SCHEDULE	
ITEM	DESCRIPTION
1	ROCLA RECTANGULAR PIT OR WATER AUTHORITY APPROVED EQUIVALENT
2	WATER AUTHORITY APPROVED AIR VALVE
3	VALVE AS PER PSS-1010-M
4	PRESSURE SEWER
5	STEEL BRACING
6	10mm THICK BITUMISED STRIP
7	PE/SS TRANSITION ADAPTOR
8	STEP IRONS
9	PE TEE
10	STUB FLANGE WITH 316 STAINLESS STEEL BACKING RING AND BOLTED CONNECTION
11	Ø600 MANHOLE COVER
12	CONCRETE PIPE SUPPORT
13	CONCRETE BASE SLAB TO BE POURED IN-SITU
14	CONCRETE COLLAR
15	DN100 PVC PIPE TO VENT (LENGTH AND LOCATION TO BE DETERMINED ON SITE)
16	DN100 PVC 90° ELBOW
17	"CREVET PIPELINES" MULTI VENT WITH SELF TAPPING SCREWS FOR FIXING TO PVC SPIGOT END
18	DN100 (SP-SP) PVC PIPE (LENGTH TO SUIT)
19	DN100 (SOC-SOC) PVC 90° BEND
20	DN100 PVC (SOC-SP) ADAPTOR

NOTE: ALL PIPE AND FITTINGS MUST BE APPROVED FOR USE. REFER TO THE MRWA WEB PORTAL. DETAILS ARE SHOWN FOR A DN63 PRESSURE SEWER.



**SECTION A**  
NOT TO SCALE



**DETAIL PIPE ARRANGEMENT AT AIR RELEASE VALVE**  
NOT TO SCALE

4	PUBLISHED FIRST ISSUE	11/10/12	C. PAXMAN	DESIGNED: S.FRENCH	DATE: 29/07/09
3	NEW AIR VALVE ARRANGMENT	18/01/12		DRAWN: D.T.	DATE: 09/11/09
2	FITTING TABLE AMENDED	10/03/11		CHECKED: INITIALS DATE	APPROVED: INITIALS DATE
1	GENERAL AMENDMENTS	14/04/10		<input checked="" type="checkbox"/> CWW D.M. 22/08/12	<input checked="" type="checkbox"/> CWW R.J. 22/08/12
0	ISSUED AS STANDARD	09/11/09		<input checked="" type="checkbox"/> SEW S.S. 17/11/11	<input checked="" type="checkbox"/> SEW C.P. 18/01/12
REV	DESCRIPTION	DATE	APP'D	<input checked="" type="checkbox"/> YVWL K.D. 9/10/12	<input checked="" type="checkbox"/> YVWL A.C. 9/10/12

MELBOURNE RETAIL WATER AGENCIES

**PRESSURE SEWER SYSTEM  
AIR VALVE INSTALLATION  
IN GROUND**

SCALE: N.T.S	@A3
SHEET: 1 OF 1	
DRAWING No.: PSS-1011-M	REV 4