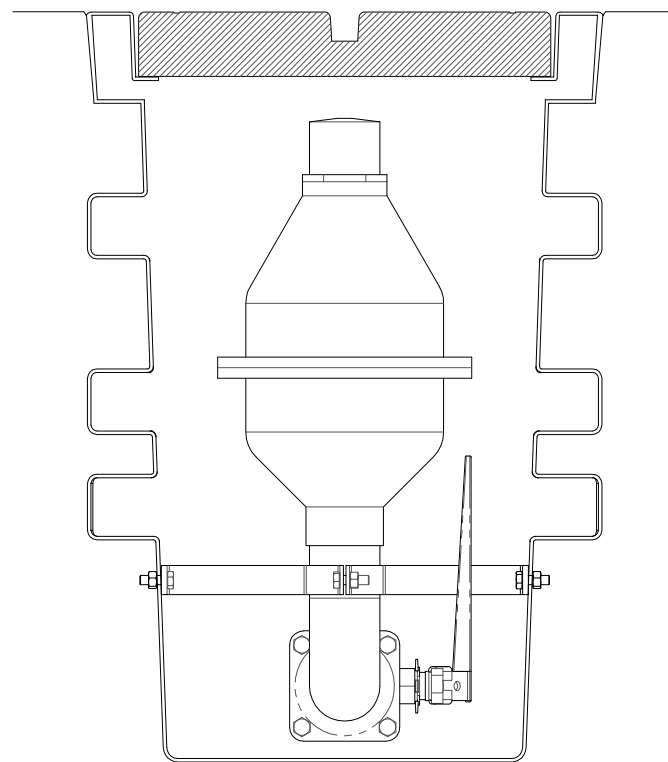


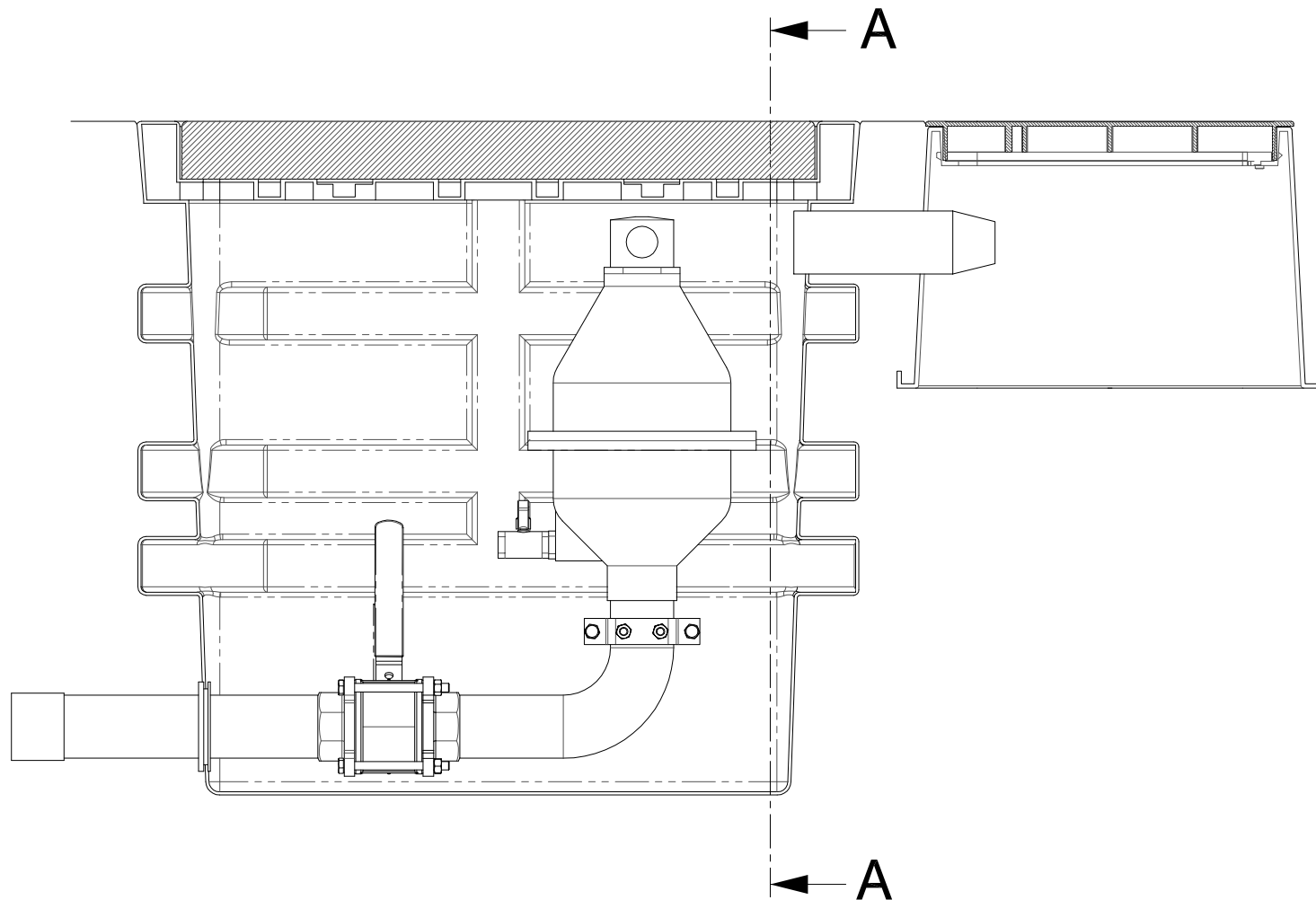
Isometric Cutaway:

Notes:

1. Sizes available to suit polyethylene pipe Ø50 through to Ø100.
2. 316 Stainless Steel Pipework.
3. 316 Stainless Steel Isolation Valve (lockable).
4. Polyethylene heavy duty chamber to house flushing point.
5. 'Class A' concrete cover.
6. Ø50 Vent



A-A



ADDITIONAL INFORMATION PROVIDED IN THE DRAWING COMMENTARY

REV	DESCRIPTION	00/00/00	INITIALS	DESIGNED:	KDAWSON	DATE:	24/08/11
REV	DESCRIPTION	00/00/00	INITIALS	DRAWN:	KDAWSON	DATE:	24/08/11
REV	DESCRIPTION	00/00/00	INITIALS	CHECKED:	INITIALS	DATE	APPROVED: INITIALS DATE
REV	DESCRIPTION	00/00/00	INITIALS	<input type="checkbox"/> CWW			<input type="checkbox"/> CWW
REV	DESCRIPTION	00/00/00	INITIALS	<input type="checkbox"/> SEWL			<input type="checkbox"/> SEWL
REV	DESCRIPTION	00/00/00	INITIALS	<input checked="" type="checkbox"/> YVW	KD	24/08/11	<input checked="" type="checkbox"/> YVW KD 24/08/11
REV	DESCRIPTION	DATE	APP'D				

MELBOURNE RETAIL WATER AGENCIES



WITH ACKNOWLEDGEMENT TO
WATER SERVICES ASSOCIATION of Australia

PRESSURE SEWER SYSTEM STANDARD DRAWINGS

YARRA VALLEY WATER SPECIFIC REQUIREMENTS
TYPICAL APPURTENANCES
OFFSET AIR VALVE DETAILS

NOT TO SCALE

PSS-1016-Y

ISSUED 2011 VERSION 1