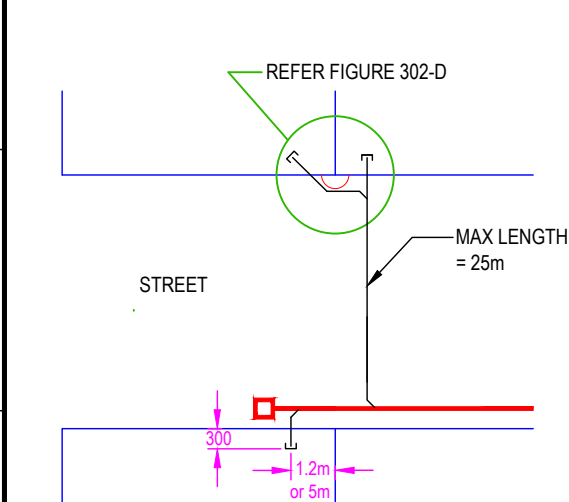
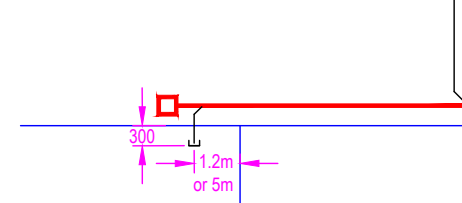
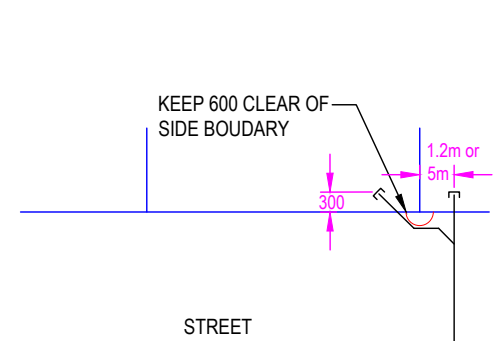


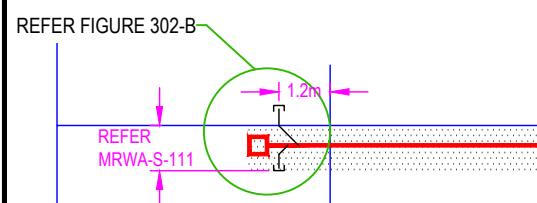
**FIGURE 302-A: TYPICAL PROPERTY CONNECTION SCHEMATIC ARRANGEMENTS AT END OF LINE**



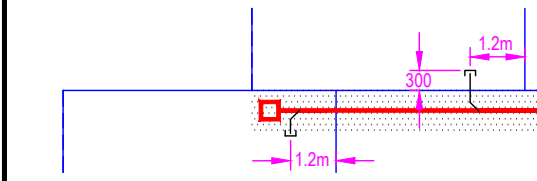
**FIGURE 302-A1: LOTS ALIGNED ACROSS STREET**



**FIGURE 302-A2: LOTS STAGGERED ACROSS STREET**

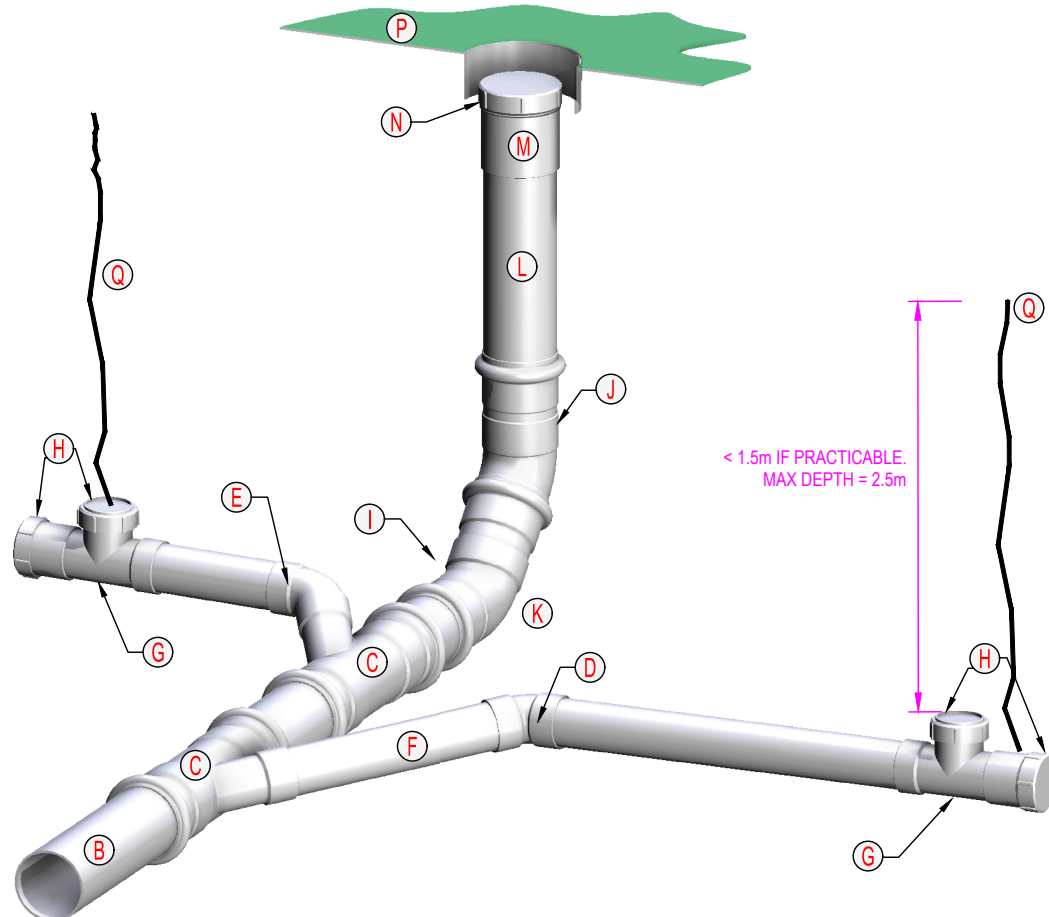


**FIGURE 302-A3: ALIGNED BACKYARD LOTS**



**FIGURE 302-A4: STAGGERED BACKYARD LOTS**

**FIGURE 302-B: TYPICAL TYPE 1 END OF LINE ARRANGEMENT (ISOMETRIC VIEW)**



**TABLE 302-A: COMPONENTS (in Approximate Order of Construction)**

ITEM	DESCRIPTION	MATERIAL	REFER
A	EMBEDMENT	APPROVED MATERIAL	REFER MRWA-S-202
B	RETICULATION PIPE	TYPICALLY PVC DWV OR PP	REFER MRWA-S-103
C	OBLIQUE JUNCTION	PVC DWV / GRP	REFER MRWA-S-104A
D	45 deg BEND	PVC DWV, SCJ	TYPICALLY M-F
E	60 deg BEND	PVC DWV, SCJ	TYPICALLY M-F
F	PROPERTY CONNECTION PIPE	PVC DWV, SCJ	LAY AT 1 IN 60 GRADE. FOR SIZE, REFER TO TABLE 104-A
G	INSPECTION OPENING (IO)	PVC DWV, SCJ	MARKS END OF WATER AGENCY ASSET
H	SCREW CAP	PVC DWV, SCJ	INSTALL ONE AT END OF ACCESS COUPLING AND ONE ON IO
I	45 deg BEND	PVC DWV, RRJ OR SCJ	F-M OR F-F TO SUIT. SIZE TO MATCH RETICULATION PIPE
J	45 deg BEND	PVC DWV, RRJ OR SCJ	TYPICALLY M-F. SIZE TO MATCH RETICULATION PIPE
K	RISER PIPE SUPPORT	CEMENT STABILIZED BEDDING	REFER FIGURE 301-C
L	RISER PIPE	PVC DWV, SCJ OR RRJ	SIZED TO MATCH RETICULATION PIPE
M	ACCESS COUPLING	PVC DWV, SCJ	SIZED TO MATCH RETICULATION PIPE
N	SCREW CAP	PVC DWV, SCJ	INSTALL ONE AT END OF ACCESS COUPLING
O	COMPACTED BACKFILL	CLASS 2 OR CLASS 4 FCR	REFER MRWA BACKFILL SPEC
P	SURFACE ARRANGEMENT	CONCRETE / DUCTILE IRON	REFER FIGURE 301-B
Q	MARKER TAPE	AS PER WSA PS 319. CREAM	FROM CENTRE OF CAP. LAY VERTICALLY TO SURFACE

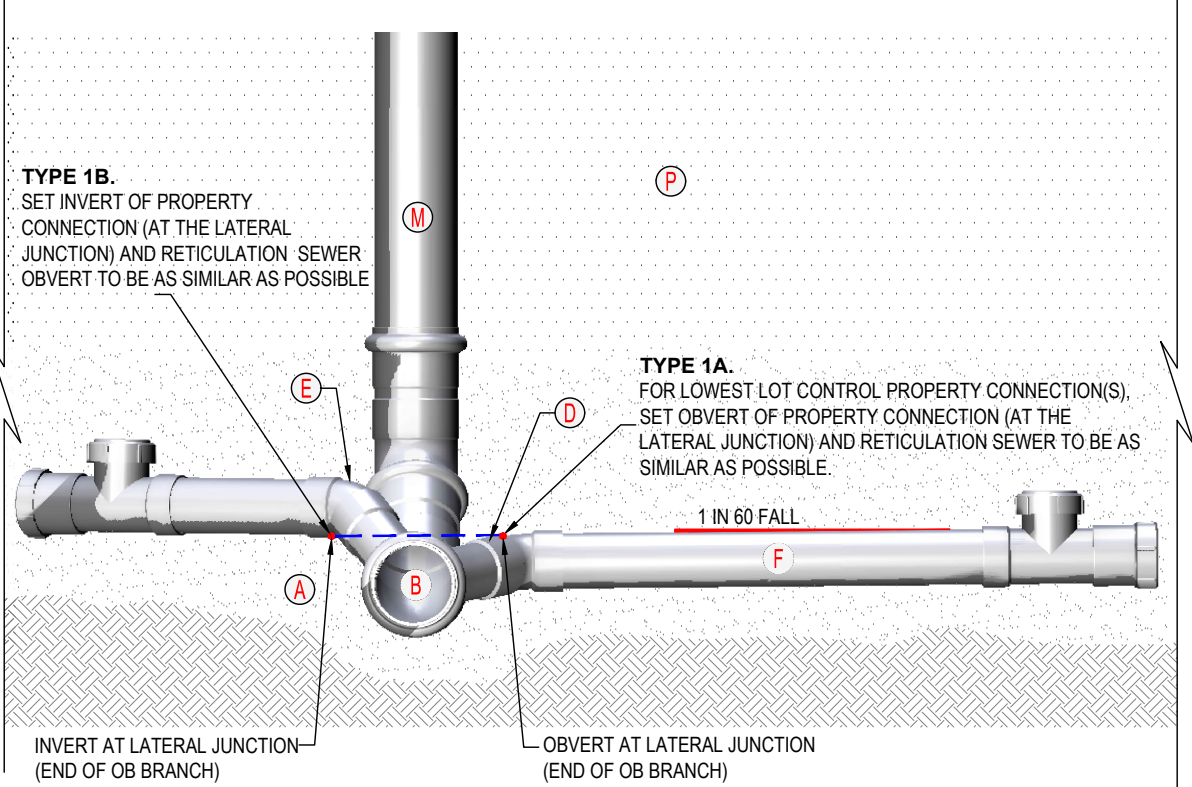
**Additional Notes Regarding Table 302-A items:**

Item G. IO ties and Offsets, refer Table 108-B and Table 109-A.

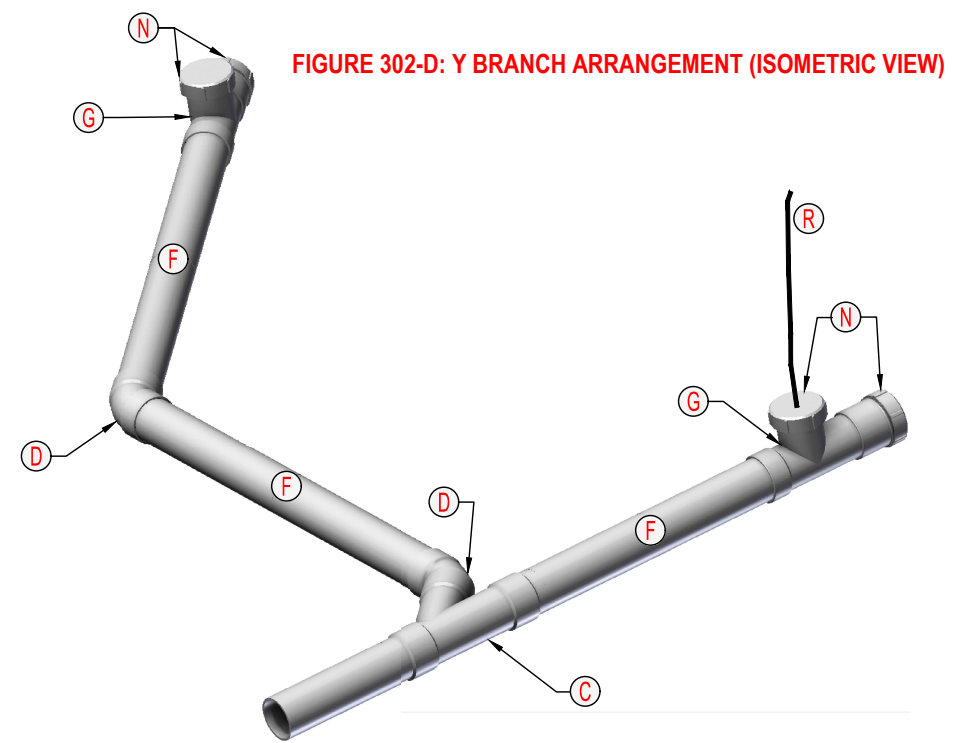
**LEGEND**

- RETICULATION SEWERAGE PIPE
- INSPECTION SHAFT (TO SURFACE)
- PROPERTY CONNECTION PIPE
- ▨ EASEMENT AREA

**DETAIL 302-C: PROPERTY CONNECTIONS TO RETICULATION PIPE (SECTION VIEW)**



**FIGURE 302-D: Y BRANCH ARRANGEMENT (ISOMETRIC VIEW)**



ALL DIMENSIONS IN mm UNLESS STATED OTHERWISE

REV	DESCRIPTION	DATE	APPROVED
2	PUBLISHED FIRST ISSUE	01/10/15	CP / JT / KD / RJ
1	PRE-PUBLISHED DRAFT	01/03/15	CP / JT / KD / RJ

DESIGNED:	R. JAGGER	DATE:	1 JULY 2015
DRAWN:	R. JAGGER	DATE:	1 JULY 2015
CHECKED:	NAME	DATE	APPROVED:
<input checked="" type="checkbox"/>	CWW	D. MOORE	01/09/15
<input checked="" type="checkbox"/>	SEW	C. PAXMAN	01/09/15
<input checked="" type="checkbox"/>	YVW	K. DAWSON	01/09/15
<input checked="" type="checkbox"/>	CWW	R. CARRUTHERS	01/09/15
<input checked="" type="checkbox"/>	SEW	D. O'DONOVAN	01/09/15
<input checked="" type="checkbox"/>	YVW	J. TOMASI	01/09/15
ISSUED	2015	VERSION	1

MELBOURNE RETAIL WATER AGENCIES

**MRWA SEWERAGE STANDARDS**

**ON GRADE (TYPE 1) PROPERTY CONNECTIONS TO SEWERAGE MAINS. INSPECTION SHAFTS**

**NOT TO SCALE**

**MRWA-S-302**

Planning	Design	Construction
		✓✓✓✓