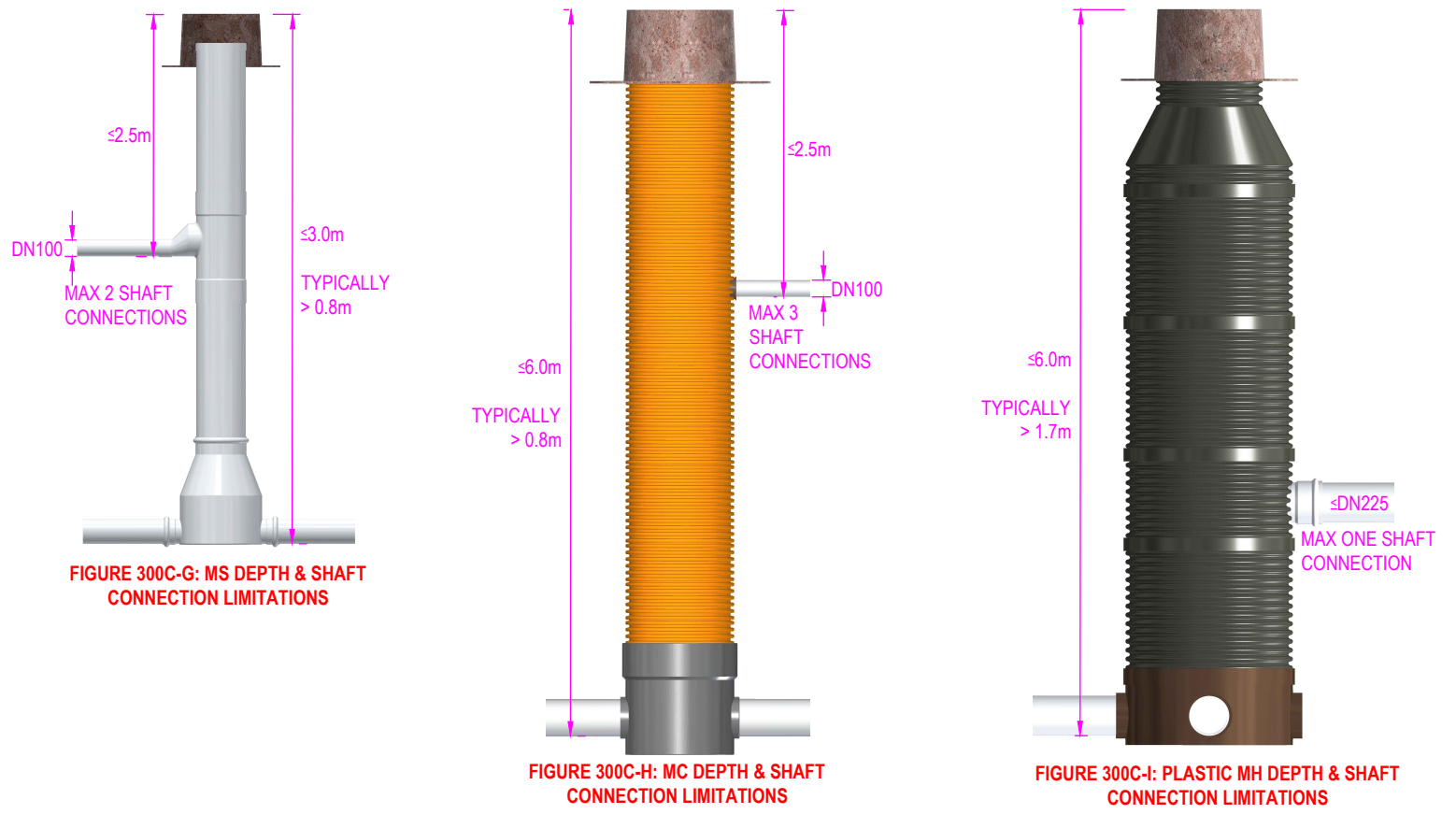
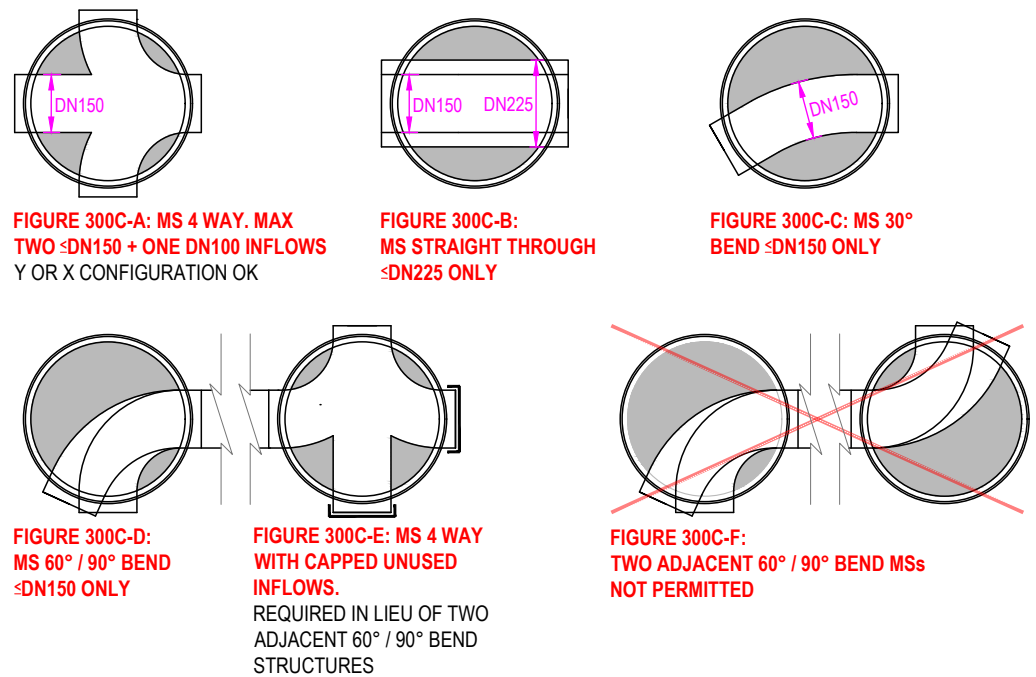
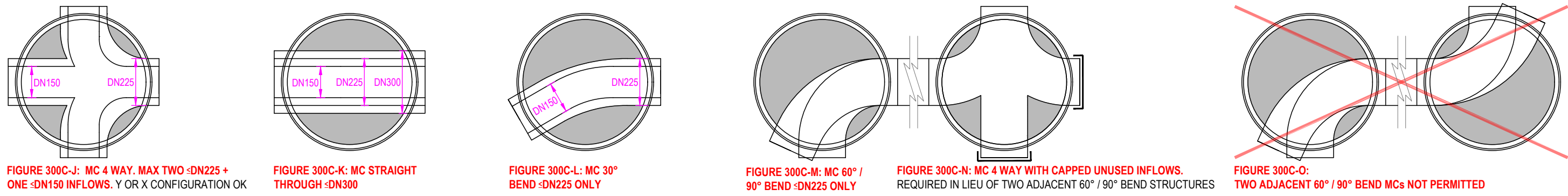


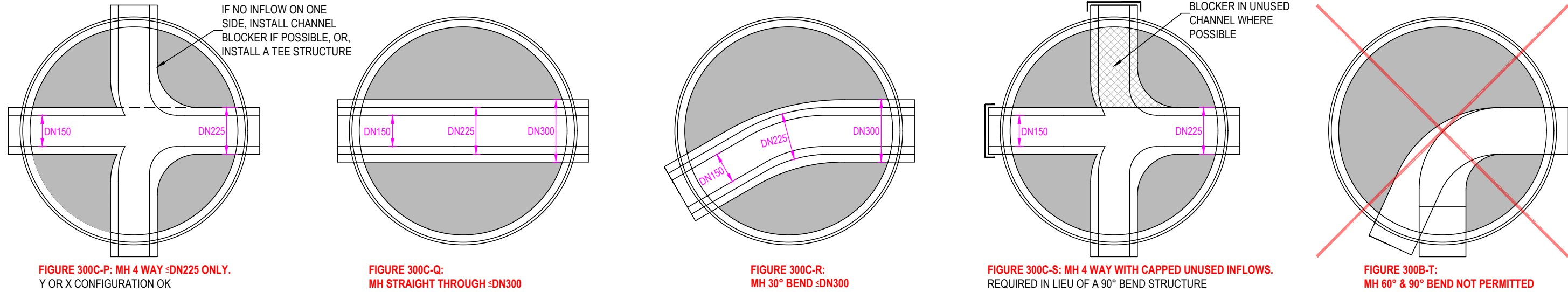
MAINTENANCE SHAFT BASE INFLOWS



MAINTENANCE CHAMBER BASE INFLOWS



MAINTENANCE HOLE BASE INFLOWS



ALL DIMENSIONS IN mm UNLESS STATED OTHERWISE

REV	DESCRIPTION	DATE	APPROVED
2	PUBLISHED FIRST ISSUE	SEP 20	CP / GA / RL
1	DRAFT NEW STANDARD FOR REVIEW	MAR 20	CP / GA / WS

DESIGNED:	R. JAGGER	DATE:	MAR 2020
DRAWN:	R. JAGGER	DATE:	MAR 2020
CHECKED:	NAME	DATE	APPROVED: NAME
	NAME	DATE	NAME
	G. ANTHONSEN	SEP 20	S. TRIKHA
	C. PAXMAN	SEP 20	D. STEWART
	N. GERHARD	SEP 20	R. LEON
ISSUED	2020	VERSION	1

MELBOURNE RETAIL WATER AGENCIES

MRWA SEWERAGE STANDARDS

EXAMPLES OF PLASTIC MAINTENANCE STRUCTURE UTILISATION

NOT TO SCALE

MRWA-S-300C

Planning	Design	Construction
	✓	✓