

FIGURE 109-A: SUB-MAIN OFFTAKE. SECTION VIEW

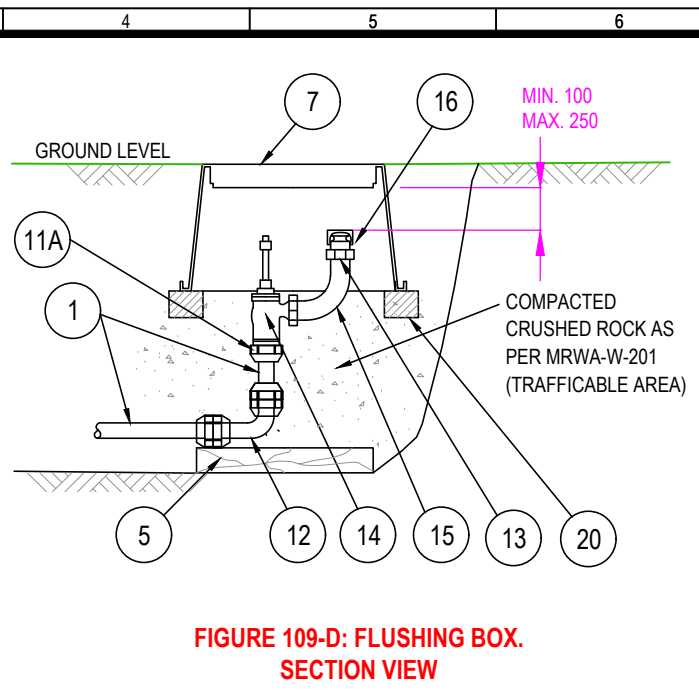


FIGURE 109-D: FLUSHING BOX. SECTION VIEW

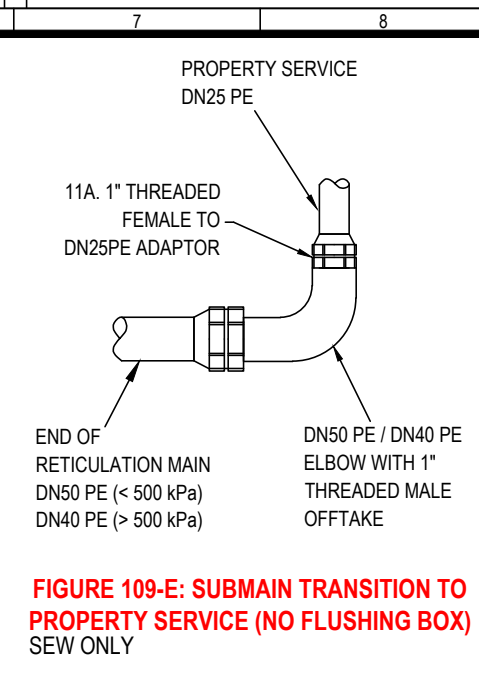


FIGURE 109-E: SUBMAIN TRANSITION TO PROPERTY SERVICE (NO FLUSHING BOX) SEW ONLY

TABLE 109-A: COMPONENT SCHEDULE

ITEM	DESCRIPTION	SIZE / REFERENCE
1	POLYETHYLENE PIPE (PE)	PE SUB-MAIN SIZE
2	BLANKED FLANGE TAPPED OFF CENTRE	MAIN SIZE x PE SUB-MAIN SIZE
3	HYDRANT TEE	MAIN SIZE x 100
4	HYDRANT RISER (REFER NOTE L)	100
4A	HYDRANT	100
5	RED GUM, CONCRETE OR PLASTIC BLOCK AND WEDGES	DRAWING MRWA-W-206
6	VALVE COVER AND SURROUND	DRAWING MRWA-W-302
7	FLUSHING BOX AND LID	FIGURES 303-D to F
8	TAPPING BAND OR TAPPING SADDLE	DRAWING MRWA-W-107
9	FL-SOC THRUST CONNECTOR	MAIN SIZE
10	COMPRESSION COUPLED GATE VALVE WITH FALSE SPINDLE	PE SUB-MAIN SIZE
11	MALE / MALE NIPPLE	PE SUB-MAIN SIZE
11A	FEMALE COMPRESSION ADAPTOR	PE SUB-MAIN SIZE
12	PE COMPRESSION FITTING 90 ELBOW	PE SUB-MAIN SIZE
13	CAMLOCK COUPLING - BRASS	REFER TABLE 107-A
14	FERRULE	REFER TABLE 107-A
15	FERRULE BEND	REFER TABLE 107-A
16	PLASTIC PROTECTIVE DUST COVER	REFER TABLE 107-A
17	HYDRANT COVER AND SURROUND	DRAWING MRWA-W-303
18	SPINDLE PROTECTION PVC PIPE	DRAWING MRWA-W-302
19	INSERTION GASKET, 316 STAINLESS STEEL NUTS, BOLTS AND WASHERS	DRAWING MRWA-W-306
20	APPROVED SUPPORTS PLACED UNDER BOX	80 x 50

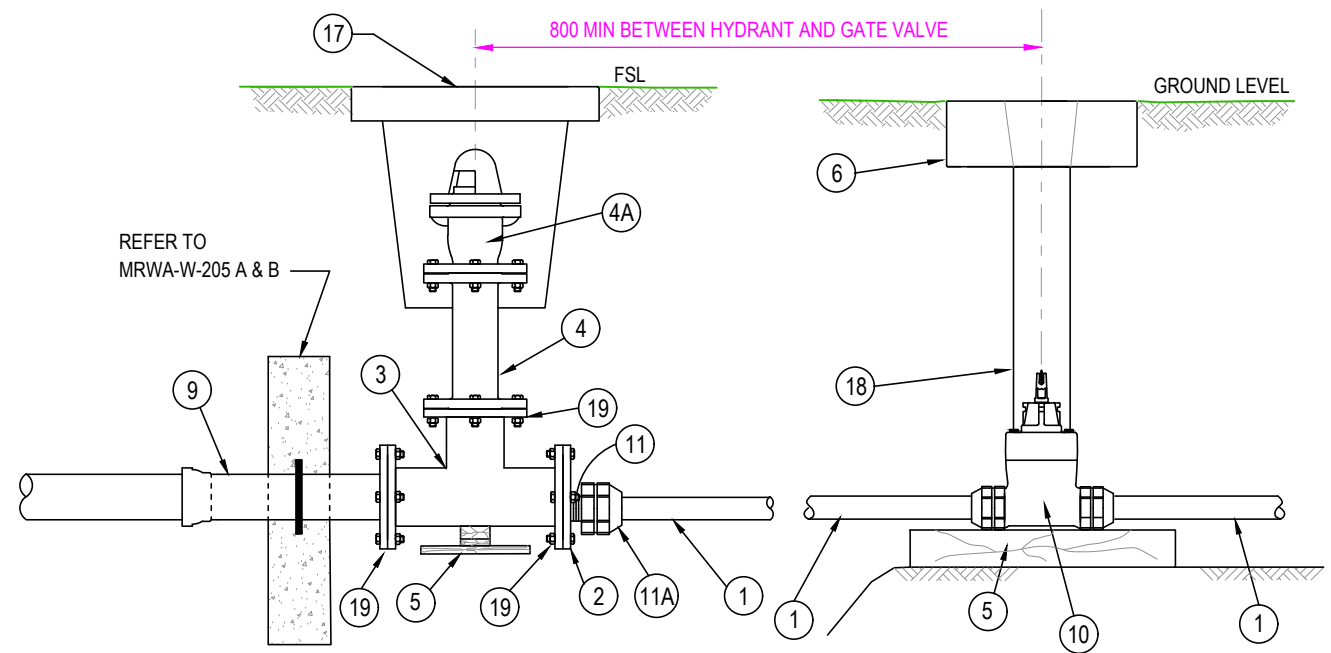


FIGURE 109-B: SUB-MAIN JUNCTION. SECTION VIEW

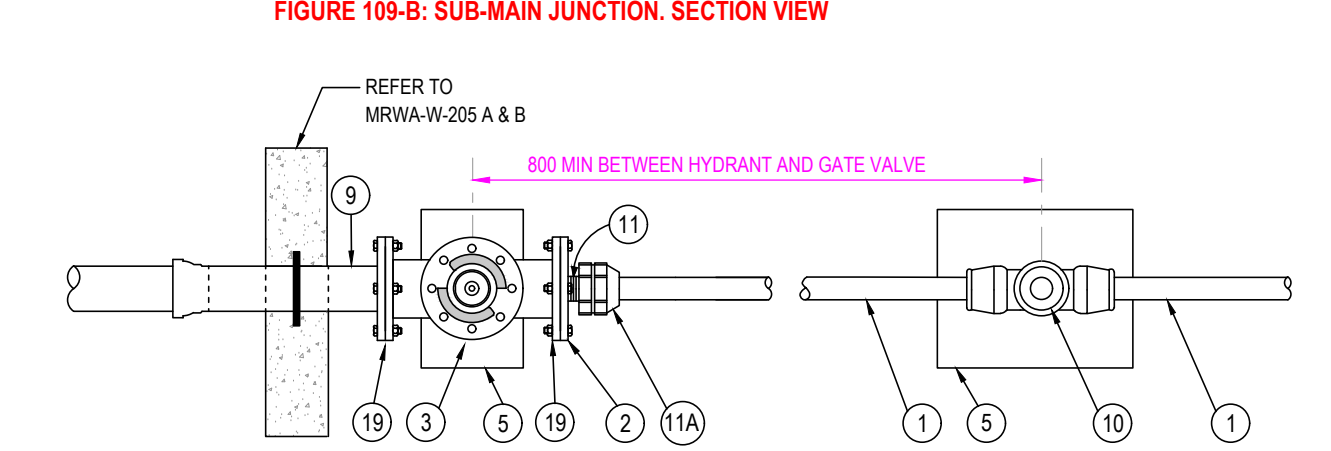


FIGURE 109-C: SUB-MAIN JUNCTION. PLAN VIEW

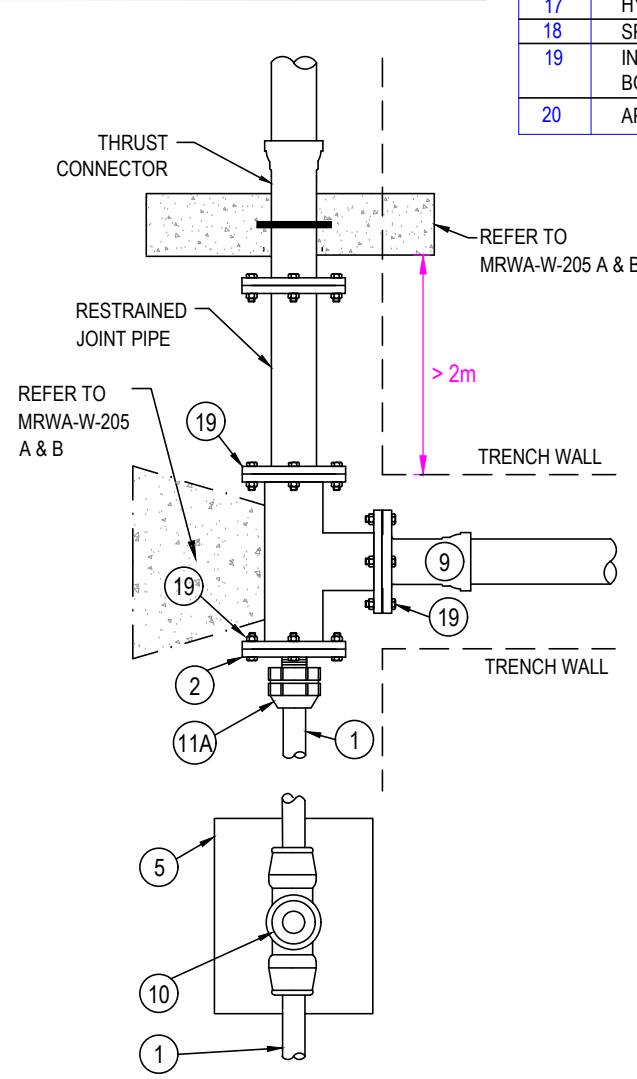


FIGURE 109-F: SUB-MAIN OFFTAKE FROM BEND. SECTION VIEW

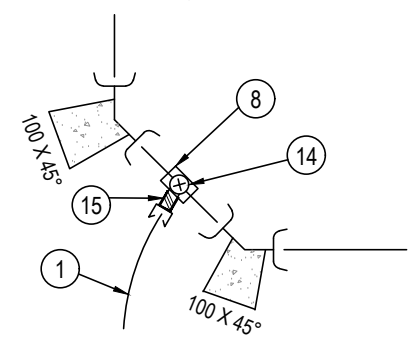


FIGURE 109-G: ALTERNATIVE SUB-MAIN OFFTAKE FROM BEND. PLAN VIEW

GENERAL NOTES:

- All Male threads on all metal fittings must be wrapped in P.T.F.E. (teflon) tape.
- PE has a high coefficient of expansion and contraction.
- Continuous lengths of PE main preferred and shall be used when available.
- To make reductions from one pipe size to another, install an appropriate compression reducing coupling.
- Locate flushing box at least 1 metre past last service connection clear of driveways where practicable.

KEY REFERENCES:

- All products used must be listed in Water Agency approved product catalogues.
- For details of trench excavations and pipe embedment refer to drawing MRWA-W-201 & 202 and Water Agency product specifications.
- Standard minimum cover for PE must be maintained. Refer to MRWA-W-202.
- Ensure PE pipe connections to RRJ mains are completed in accordance with Fig 205A-L.
- PE approved jointing to be used, refer to Table 103-D for details.
- For covers and surrounds details, refer to MRWA-W-302 & 303.

These details are referred to in drawing MRWA-W-108

REV	DESCRIPTION	DATE	APPROVED
3	CHANGES TO TABLE 109-A & NOTES	01/12/16	RJ / CP / JT
2	PUBLISHED FIRST ISSUE	21/03/12	R. JAGGER
1	PRE PUBLISHED DRAFT FOR COMMENT	12/07/11	R. JAGGER

DESIGNED:	R. JAGGER	DATE:	20/01/2011				
DRAWN:	R. JAGGER	DATE:	20/01/2011				
CHECKED:	NAME	DATE	APPROVED:	NAME	DATE		
<input checked="" type="checkbox"/>	C.WW	C. RIVETTE	21/03/12	<input checked="" type="checkbox"/>	C.WW	R.CARRUTHERS	21/03/12
<input checked="" type="checkbox"/>	SEWL	C.PAXMAN	21/03/12	<input checked="" type="checkbox"/>	SEWL	G.REYNOLDS	21/03/12
<input checked="" type="checkbox"/>	YVW	K.DAWSON	21/03/12	<input checked="" type="checkbox"/>	YVW	A.COSHAM	21/03/12

MELBOURNE RETAIL WATER AGENCIES



MRWA WATER SUPPLY STANDARDS

POLYETHYLENE RETICULATION DETAILS

NOT TO SCALE

MRWA-W-109

ISSUED 2012 REVISION NO. 3