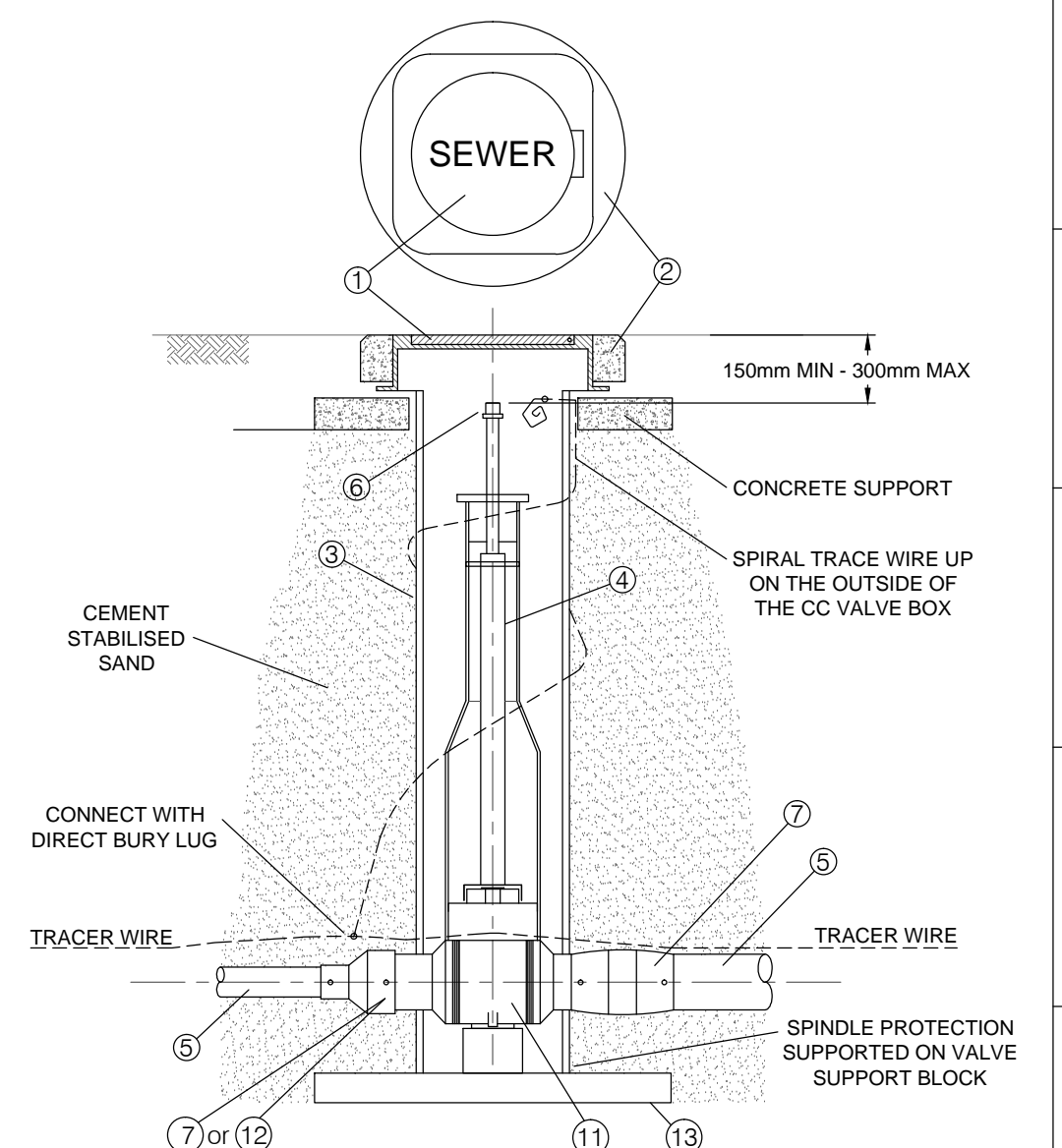


**DETAIL A - ISOLATION VALVE - ALL SIZES
(FLANGED CONNECTION SHOWN)**

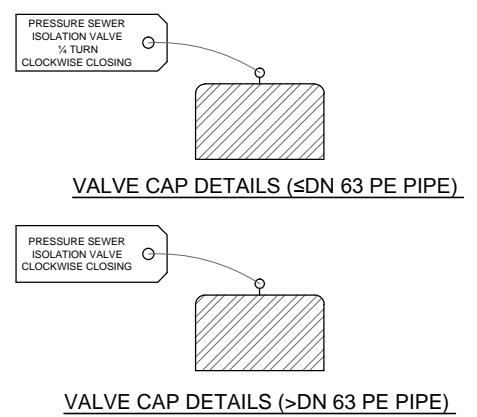
PE 100 SDR11/PN16 INTERNAL DIAMETERS		
OUTSIDE DIAMETER (mm)	PIPE INTERNAL DIAMETER (mm)	PIPELINE VALVING (mm)
50	40	63 B.V. OR 65 R.S.V.
63	51	63 B.V. OR 65 R.S.V.
90	73	80 R.S.V.
125	101	100 R.S.V.
180	145	150 R.S.V.
250	203	200 R.S.V.

NOTE: B.V. - BALL VALVE IN HDPE ¼ TURN (FULL BORE) PN 16 / SDR 11 PE100
R.S.V. - RESILIENT SEATED GATE VALVE

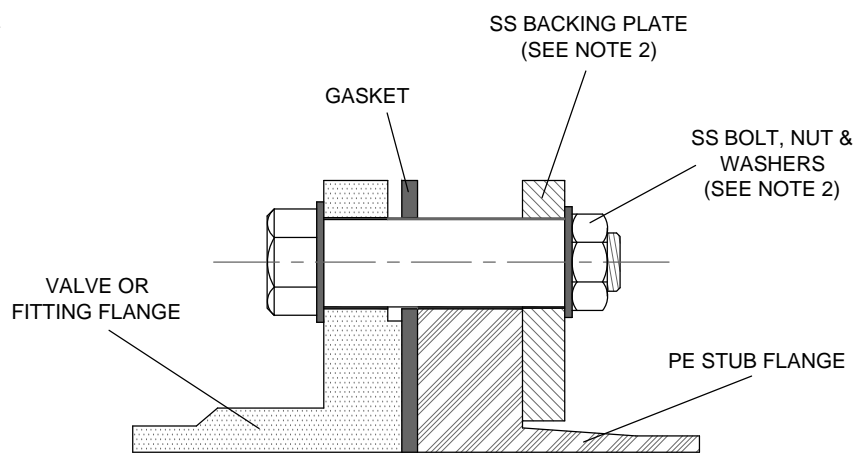
FITTING SCHEDULE		REFER NOTE 11
ITEM	DESCRIPTION	
1	D.I. VALVE COVER (NON-TRAFFICABLE SHOWN - REFER NOTE 6)	
2	CONCRETE OR RECYCLED PLASTIC SURROUND	
3	SPINDLE PROTECTION 150 DWV PVC PIPE SN4.	
4	VALVE SPINDLE EXTENSION (600-900) AS PER VALVE MANUFACTURER.	
5	PE PIPE	
6	VALVE SPINDLE CAP TO SUIT WATER COMPANY PREFERENCE. REFER TO WATER COMPANIES PRODUCT CATALOGUE FOR FURTHER DETAILS.	
7	EF COUPLING	
8	RESILIENT SEATED GATE VALVE PN 16	
9	STUB FLANGE (FOR ELECTROFUSION OR BUTT WELDING)	
10	316 STAINLESS STEEL BACKING RING AND BOLTED CONNECTION GEORGE FISCHER OR FRIALEN 63 BALL VALVE IN HD-PE ¼ TURN (FULL BORE) PN 16 / SDR 11 PE 100 OR EQUIVALENT. TOP OF SPINDLE TO BE 12mm SQUARE TO SUIT FERRULE KEY.	
12	63 x 50 REDUCER, COUPLERS	
13	HARDWOOD OR RECYCLED PLASTIC BLOCKS FOR VALVE SUPPORT. REFER STANDARD DRAWING WAT-1206.	



DETAIL B - BALL VALVE ALTERNATIVE - ON PIPES EQUAL TO OR LESS THAN DN 63 PE



DETAIL D



DETAIL C - PE BOLTED CONNECTION DETAIL

NOTE: FACTORY JOINED PE IS AN ALTERNATIVE CONNECTION WHERE THE PRODUCT IS WATER AUTHORITY APPROVED.

NOTES:

1. MINIMUM PRESSURE CLASS AND COMPOUND TYPE FOR ALL PIPEWORK AND FITTINGS IS TO BE PN16/ SDR 11 PE 100.
2. ALL BACKING PLATES, NUTS, BOLTS AND WASHERS TO BE A MINIMUM GRADE 316 STAINLESS STEEL. COAT THE THREADED SECTIONS OF ALL STAINLESS STEEL BOLTS WITH AN ANTI-SEIZE LUBRICANT.
3. GASKET MATERIAL TO COMPLY WITH AS4087 AND IN ACCORDANCE WITH WSA 109.
4. INSTALL VALVE IDENTIFICATION CAP ON ALL SPINDLES.
5. COVER AND SHROUD ARE TO BE INSTALLED USING A SUPPORT FLANGE, SO THAT NO LOADING IS TRANSFERRED ONTO THE VALVE OR PIPE.
6. HINGED COVERS SHALL BE USED IN NON-TRAFFICABLE LOCATIONS AND SHALL CLOSE IN THE DIRECTION OF FALL OF LAND OR DIRECTION OF ADJACENT ROAD LANE TRAFFIC. HINGED COVERS SHALL NOT BE USED IN TRAFFICABLE OR PAVED AREAS. REFER NOTE 11.
7. PAINT TOP OF VALVE COVER WITH ORANGE ROAD MARKING PAINT.
8. BALL VALVES SHALL BE USED ON PIPELINES DN 63 PE OR SMALLER.
9. GATE VALVES FOR USE ON MAINS DN 90 PE OR LARGER SHALL BE RESILIENT SEATED GATE VALVES.
10. RESILIENT SEATED GATE VALVES ARE TO BE CLOCKWISE CLOSING.
11. ALL FITTINGS MUST BE WATER AUTHORITY APPROVED. REFER TO MRWA WEB PORTAL FOR LIST OF APPROVED PIPEWORK AND FITTINGS.

REV	DESCRIPTION	DATE	APP'D	DESIGNED:	S.FRENCH	DATE:	09/11/09
4	PUBLISHED FIRST ISSUE	11/10/12	C.PAXMAN	DRAWN:	D.T.	DATE:	09/11/09
3	SEW AMENDMENTS	7/08/12		CHECKED:	INITIALS	DATE:	09/11/09
2	GENERAL AMENDMENTS	10/03/11		APPROVED:	INITIALS	DATE:	
1	GENERAL AMENDMENTS	14/04/10		<input checked="" type="checkbox"/> CWW	D.M.	22/08/12	<input checked="" type="checkbox"/> CWW R.J. 22/08/12
0	ISSUED AS STANDARD	09/11/09		<input checked="" type="checkbox"/> SEW	S.S.	7/08/12	<input checked="" type="checkbox"/> SEW C.P. 7/08/12
				<input checked="" type="checkbox"/> YVWL	K.D.	9/10/12	<input checked="" type="checkbox"/> YVWL A.C. 9/10/12

MELBOURNE RETAIL WATER AGENCIES

**PRESSURE SEWER SYSTEM
TYPICAL VALVE INSTALLATION
ISOLATION VALVES**

SCALE: N.T.S	@A3
SHEET: 1 OF 1	
DRAWING No.:	REV
PSS-1010-M	4