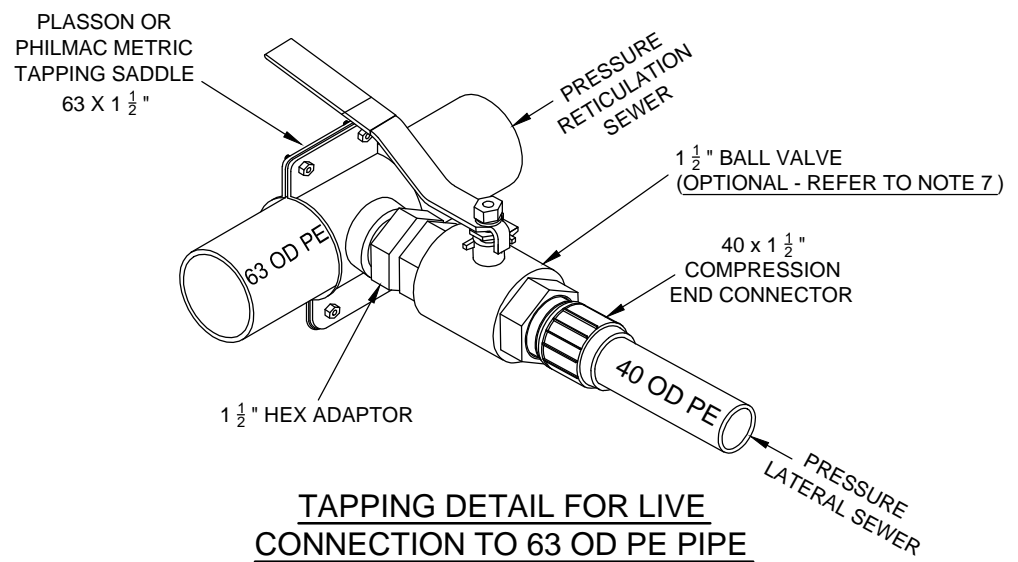
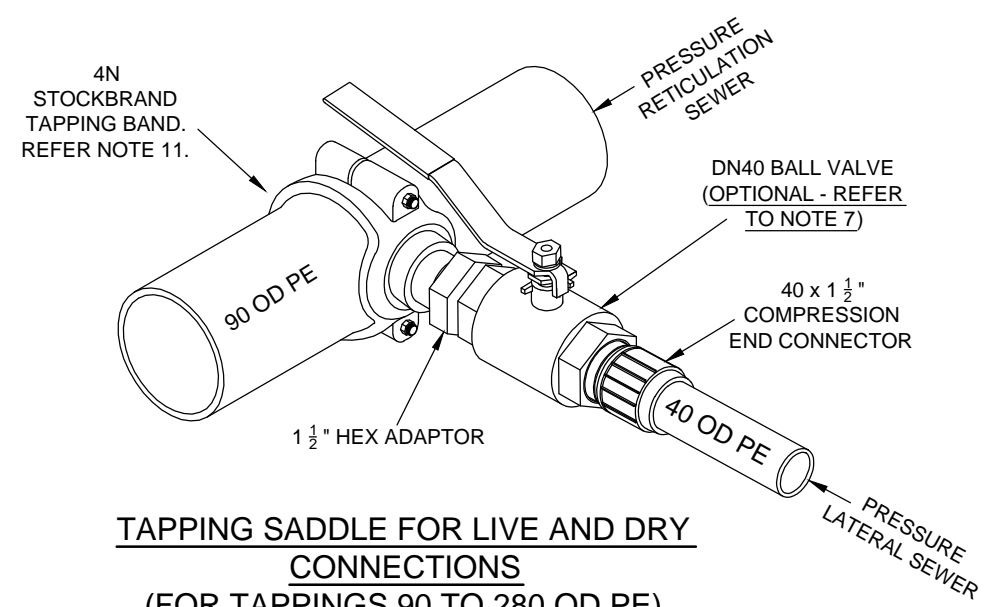


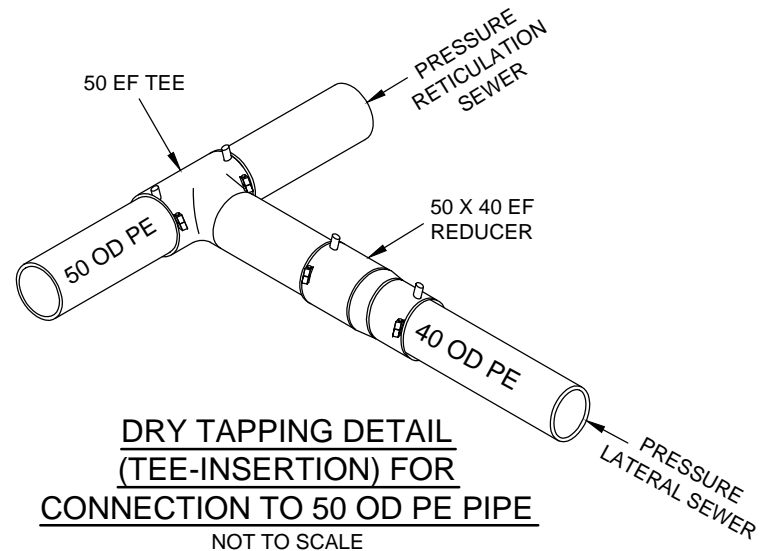
TAPPING DETAIL FOR LIVE CONNECTION TO 50 OD PE PIPE
NOT TO SCALE



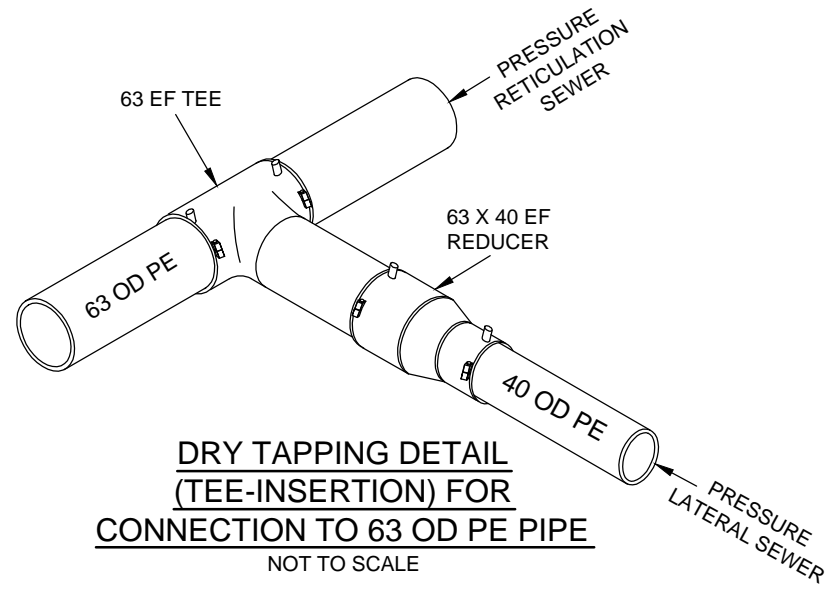
TAPPING DETAIL FOR LIVE CONNECTION TO 63 OD PE PIPE
NOT TO SCALE



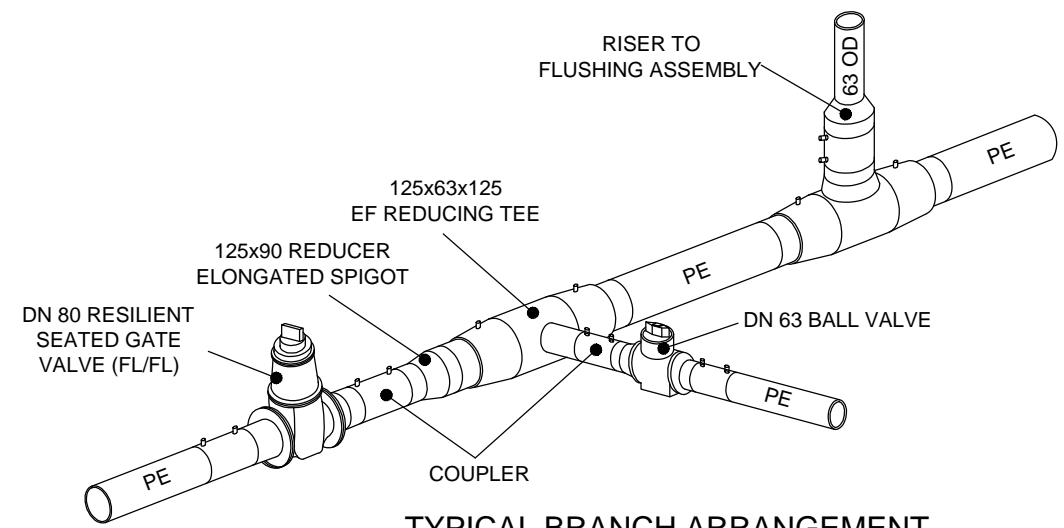
TAPPING SADDLE FOR LIVE AND DRY CONNECTIONS (FOR TAPPINGS 90 TO 280 OD PE)
NOT TO SCALE



DRY TAPPING DETAIL (TEE-INSERTION) FOR CONNECTION TO 50 OD PE PIPE
NOT TO SCALE



DRY TAPPING DETAIL (TEE-INSERTION) FOR CONNECTION TO 63 OD PE PIPE
NOT TO SCALE



TYPICAL BRANCH ARRANGEMENT
NOT TO SCALE

NOTES

1. MINIMUM PRESSURE CLASS AND PIPE COMPOUND FOR ALL PIPEWORK AND FITTINGS IS TO BE PN16 / SDR11 PE 100.
2. LIVE TAPPING TO BE UNDERTAKEN BY USING SQUEEZE-OFF TECHNIQUE OR TAPPING UNDER PRESSURE.
3. WHERE SQUEEZE-OFF TECHNIQUES ARE USED TO ISOLATE SECTIONS OF PIPEWORK DURING CONSTRUCTION, AN ELECTROFUSION COUPLER IS TO BE WELDED TO ENSURE NO FURTHER SQUEEZING OPERATIONS CAN BE UNDERTAKEN AT THE SAME LOCATION.
4. PRIOR TO UNDERTAKING LIVE TAPPINGS, THE CONTRACTOR SHALL NOTIFY RELEVANT OPERATION PERSONNEL.
5. MALE THREAD ON ALL FITTINGS MUST BE WRAPPED IN PTFE (TEFLON) TAPE.
6. COMPRESSION FITTINGS TO BE INSTALLED AS PER MANUFACTURER'S REQUIREMENTS.
7. BALL VALVES MAY NOT BE REQUIRED ON DRY TAPPINGS (OR LIVE TAPPINGS WHERE SQUEEZE-OFF TECHNIQUES ARE USED) WHEN THE PROPERTY DISCHARGE LINE AND BOUNDARY KIT ARE INSTALLED AT THE SAME TIME.
8. FOR LONG SIDE (OPPOSITE SIDE OF STREET) TAPPINGS OR WHERE PROPERTY DISCHARGE LINES ARE GREATER THAN 30m LONG, 50mm PRESSURE LATERAL SEWERS SHALL BE USED (i.e. BY USING 50mm x 1 1/2 inch END CONNECTORS AT THE TAPPING OR 63-50mm REDUCERS).
9. ALL STEEL FITTINGS, NUTS, BOLTS AND WASHERS TO BE MINIMUM GRADE 316 STAINLESS STEEL. COAT THE THREADED SECTIONS OF ALL STAINLESS STEEL BOLTS WITH ANTI-SEIZE LUBRICANT.
10. REFER TO MRWA WEB PORTAL FOR APPROVED PIPES AND FITTINGS.
11. MAXIMUM MAIN SIZE OF 280 OD TO BE USED FOR 4N STOCKBRAND TAPPING BAND. ANY LARGER FITTINGS WILL REQUIRE WATER AUTHORITY APPROVAL.

4	PUBLISHED FIRST ISSUE	11/10/12	C. PAXMAN	DESIGNED: S. FRENCH	DATE: JAN 2009
3	TYPICAL BRANCH ARRANGEMENT ADDED	17/01/12		DRAWN: D.T.	DATE: 09/11/09
2	NOTE ADDED	31/03/11		CHECKED: INITIALS DATE	APPROVED: INITIALS DATE
1	GENERAL AMENDMENTS	14/04/10		<input checked="" type="checkbox"/> CWW D.M. 22/08/12	<input checked="" type="checkbox"/> CWW R.J. 22/08/12
0	ISSUED AS STANDARD	09/11/09		<input checked="" type="checkbox"/> SEW S.S. 7/08/12	<input checked="" type="checkbox"/> SEW C.P. 7/08/12
REV	DESCRIPTION	DATE	APP'D	<input checked="" type="checkbox"/> YVWL K.D. 9/10/12	<input checked="" type="checkbox"/> YVWL A.C. 9/10/12



**PRESSURE SEWER SYSTEM
PRESSURE SEWER LATERALS
TYPICAL TAPPING INSTALLATION**

SCALE: N.T.S	@A3
SHEET: 1 OF 1	
DRAWING No.: PSS-1015-M	REV 4