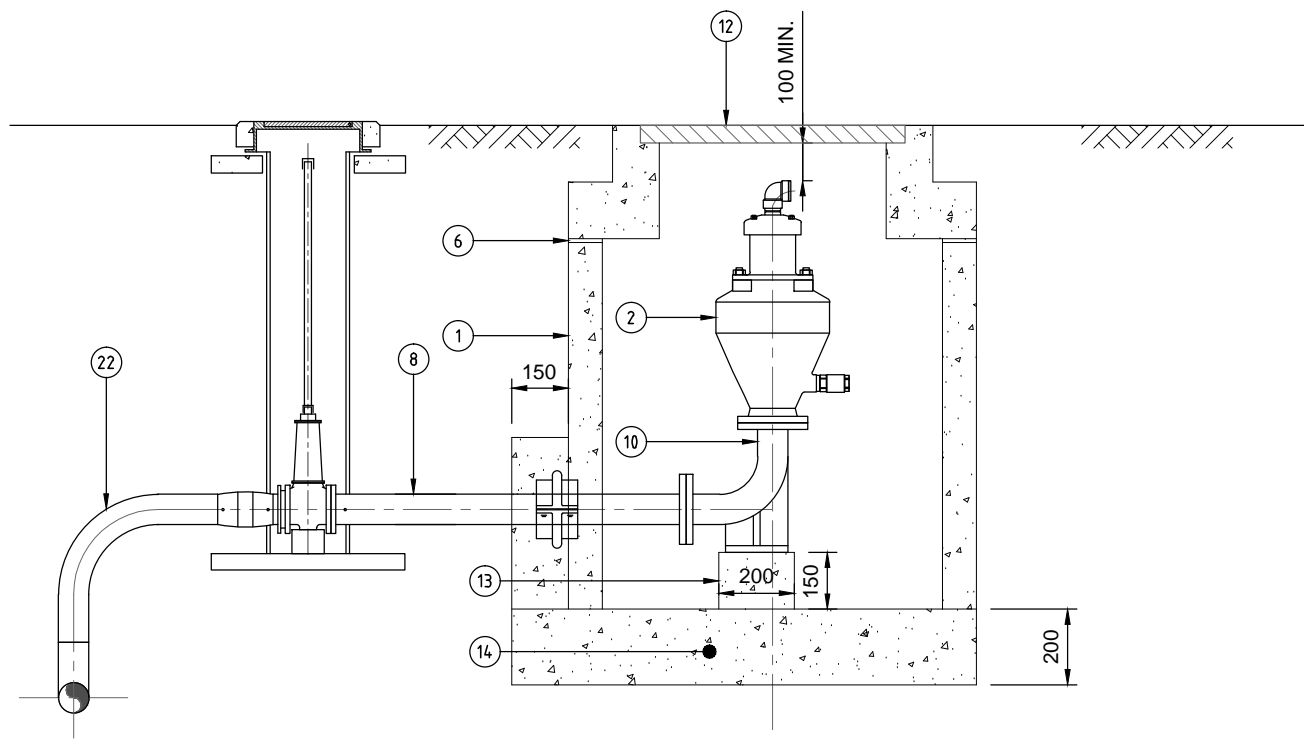
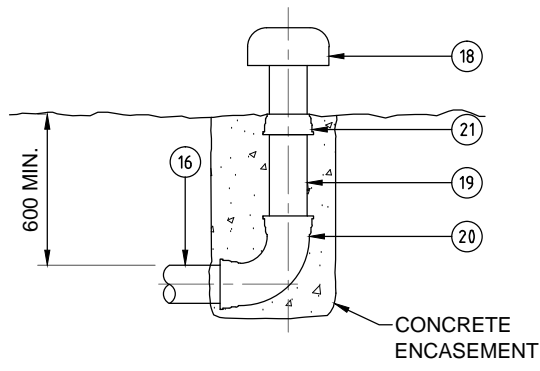


TYPICAL OFFSET AIR VALVE AND PIT DETAIL
NOT TO SCALE



SECTION A
NOT TO SCALE



GROUND LEVEL VENT DETAIL - TYPICAL
NOT TO SCALE

NOTES:

1. MINIMUM PRESSURE RATING FOR ALL PIPEWORK AND FITTINGS IS TO BE PN16.
2. ALL DI PIPEWORK AND FITTINGS SHALL BE EPOXY COATED OR AN APPROVED EQUIVALENT.
3. AIR VALVES ARE NOT TO LOCATED IN TRAFFICABLE AREAS.
4. ALL BACKING RINGS, NUTS, BOLTS AND WASHERS TO BE A MINIMUM GRADE 316 STAINLESS STEEL. COAT THE THREADED SECTIONS OF ALL STAINLESS STEEL BOLTS WITH AN ANTI-SEIZE LUBRICANT.
5. GASKET MATERIAL TO COMPLY WITH AS 4087 AND IN ACCORDANCE WITH WSA 109.
6. LOCATE GROUND VENT ADJACENT TO PROPERTY BOUNDARY.
7. PLACE SCREENING BUSHES AROUND GROUND VENT WHERE APPROPRIATE.
8. CONTRACTOR TO INSTALL EDUCT VENT IN ACCORDANCE WITH WSA DRAWING SEW-1408 (WHERE REQUIRED).
9. FUSION JOINTING OF PE FLANGE ADAPTER TO REDUCER SHALL BE MADE BY BUTT WELDING ONLY.
10. ALL CONCRETE TO BE WATER INDUSTRY APPROVED.
11. ALL INTERNAL SURFACES TO BE EPOXY COATED.
12. PROVIDE APPROVED LIFTING POINTS TO TOP OF SLAB IF PRECAST.

TYPICAL FITTING SCHEDULE	
ITEM	DESCRIPTION
1	ROCLA RECTANGULAR PIT OR WATER AUTHORITY APPROVED EQUIVALENT
2	WATER AUTHORITY APPROVED AIR VALVE
3	VALVE AS PER PSS-1010-M
4	PRESSURE SEWER
5	STEEL BRACING
6	10mm THICK BITUMISED STRIP
7	PE TEE
8	DIEL PIPE (LENGTH TO SUIT)
9	PUDDLE FLANGE
10	FLANGED DIEL DUCKFOOT BEND
11	STEP IRONS
12	Ø600 MANHOLE COVER
13	CONCRETE PIPE SUPPORT
14	CONCRETE BASE SLAB TO BE POURED IN-SITU
15	CONCRETE COLLAR
16	DN100 PVC PIPE TO VENT (LENGTH AND LOCATION TO BE DETERMINED ON SITE)
17	DN100 PVC 90° ELBOW
18	"CREVET PIPELINES" MULTI VENT WITH SELF TAPPING SCREWS FOR FIXING TO PVC SPIGOT END
19	DN100 (SP-SP) PVC PIPE (LENGTH TO SUIT)
20	DN100 (SOC-SOC) PVC 90° BEND
21	DN100 PVC (SOC-SP) ADAPTOR
22	PE 90° SWEEPER BEND

NOTE: ALL PIPE AND FITTINGS MUST BE APPROVED FOR USE. REFER TO THE MRWA WEB PORTAL. DETAILS ARE SHOWN FOR A DN90 PRESSURE SEWER.

4	PUBLISHED FIRST ISSUE	11/10/12	C. PAXMAN	DESIGNED: S. FRENCH	DATE: 2009
3	NEW AIR VALVE ARRANGEMENT	18/01/12		DRAWN: D.T.	DATE: 06/11/09
2	NOTE ADDED	31/03/11		CHECKED: INITIALS DATE	APPROVED: INITIALS DATE
1	GENERAL AMENDMENTS	24/02/10		<input checked="" type="checkbox"/> CWW D.M. 22/08/12	<input checked="" type="checkbox"/> CWW R.J. 22/08/12
0	ISSUED AS STANDARD	06/11/09		<input checked="" type="checkbox"/> SEW S.S. 7/08/12	<input checked="" type="checkbox"/> SEW C.P. 7/08/12
REV	DESCRIPTION	DATE	APP'D	<input checked="" type="checkbox"/> YVWL K.D. 9/10/12	<input checked="" type="checkbox"/> YVWL A.C. 9/10/12

MELBOURNE RETAIL WATER AGENCIES

**PRESSURE SEWER SYSTEM
OFFSET AIR VALVE INSTALLATION
IN GROUND**

SCALE: N.T.S	@A3
SHEET: 1 OF 1	
DRAWING No.:	REV
PSS-1016-M	4