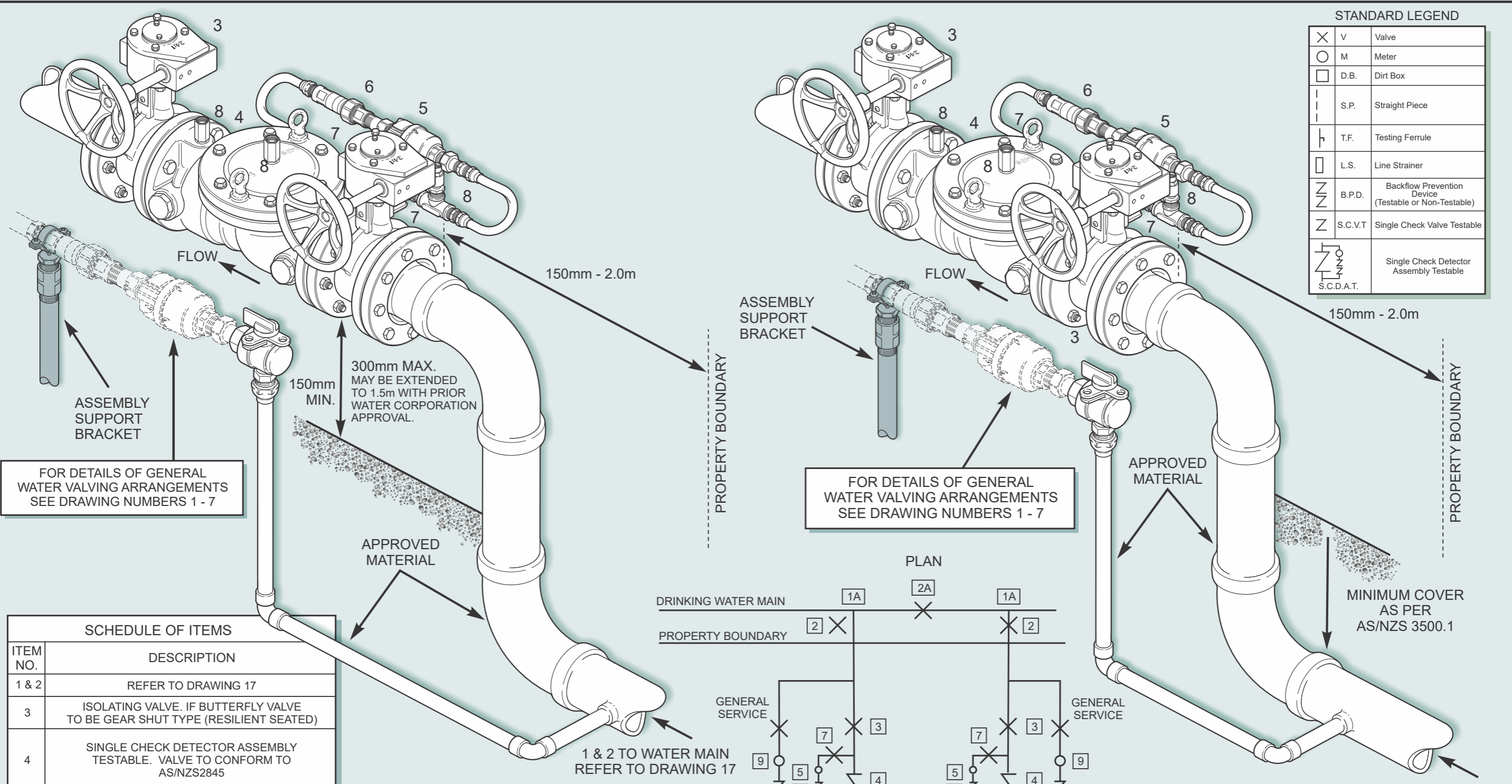


STANDARD LEGEND

×	V	Valve
○	M	Meter
□	D.B.	Dirt Box
—	S.P.	Straight Piece
┌┐	T.F.	Testing Ferrule
▭	L.S.	Line Strainer
⌌	B.P.D.	Backflow Prevention Device (Testable or Non-Testable)
⌌	S.C.V.T	Single Check Valve Testable
⌌	S.C.D.A.T.	Single Check Detector Assembly Testable

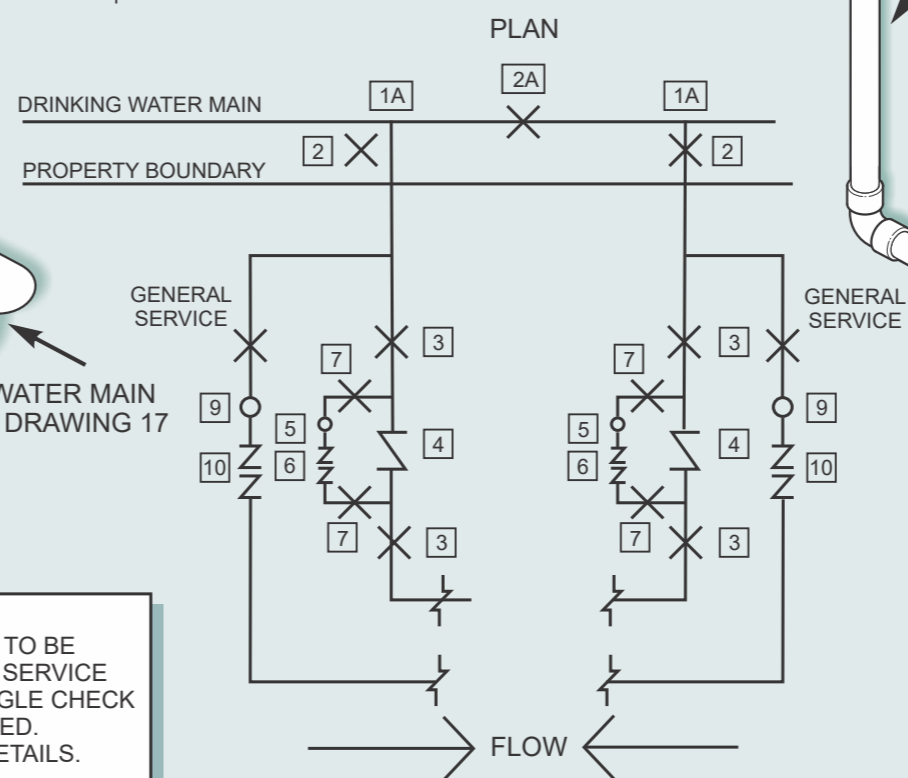


FOR DETAILS OF GENERAL WATER VALVING ARRANGEMENTS SEE DRAWING NUMBERS 1 - 7

FOR DETAILS OF GENERAL WATER VALVING ARRANGEMENTS SEE DRAWING NUMBERS 1 - 7

SCHEDULE OF ITEMS	
ITEM NO.	DESCRIPTION
1 & 2	REFER TO DRAWING 17
3	ISOLATING VALVE. IF BUTTERFLY VALVE TO BE GEAR SHUT TYPE (RESILIENT SEATED)
4	SINGLE CHECK DETECTOR ASSEMBLY TESTABLE. VALVE TO CONFORM TO AS/NZS2845
5	25mm BYPASS METER SUPPLIED BY WATER CORPORATION.
6	25mm DUAL SPRING LOADED CHECK VALVE
7	LOCKABLE BALL VALVES WITH A003 KEYED LOCKS
8	TEST PORT
9	WATER METER FOR GENERAL SERVICE
10	APPROPRIATE BFD
SEE GENERAL NOTES FOR FURTHER INFORMATION	

**NOTE:**  
IF THE FEED HYDRANT SUCTION OUTLET IS TO BE INTERCONNECTED TO AN ADDITIONAL FIRE SERVICE TO PROVIDE DUAL SUPPLY ADDITIONAL SINGLE CHECK VALVE(S) TESTABLE (SCVT) MAY BE REQUIRED. SEE DRAWING 15A NOTES FOR FURTHER DETAILS.



DRAWING NUMBER:  
**15**

SCALE:  
NOT TO SCALE

DATE:  
JULY 2017

INTERCONNECTED FIRE AND GENERAL SERVICES  
SINGLE WATER MAIN SUPPLY FROM BOTH DIRECTIONS  
TYPICAL ARRANGEMENT

